

G4 Digital AC Input Modules

Features

- 4000 volts optical isolation (transient)
- Built-in LED status indicator
- Small footprint design
- UL recognized, CSA certified, CE approved
- Passes NEMA Showering Arc Test (ICS 2-230)
- Meets IEEE Surge Withstand Specification (IEEE-472)
- Built-in filtering for transient suppression and noise rejection
- Operating temperature: -30 °C to 70 °C

Description

Opto 22's G4 AC input modules are used to detect on/off AC voltage levels. Each module provides up to 4000 volts of optical isolation (transient) between field inputs and the logic output of the circuit.

All AC input modules are designed with filtering on the input and a hysteresis amplifier, providing high noise rejection and transient-free "clean" switching.

The G4IAC5MA is a special module featuring a manual-on/manual-off/automatic switch, ideal for diagnostic testing of control applications.

Typical applications for AC input modules include sensing the presence or absence of voltage, and sensing contact closure from sources such as proximity switches, limit switches, float switches, selector switches, push buttons, toggle switches, and thermostats.



G4IAC5 Module



G4IAC5MA Module

Part Numbers

Part	Description
G4IAC5	G4 AC Input 90-140 VAC, 5 VDC Logic
G4IAC5A	G4 AC Input 180-280 VAC, 5 VDC Logic
G4IAC5L	G4 AC Input 90-140 VAC, 5 VDC Logic, Low Input Impedance
G4IAC5MA	G4 AC Input 90-140 VAC, 5 VDC Logic with Manual/Auto Switch
G4IAC15	G4 AC Input 90-140 VAC, 15 VDC Logic
G4IAC15A	G4 AC Input 180-280 VAC, 15 VDC Logic
G4IAC24	G4 AC Input 90-140 VAC, 24 VDC Logic
G4IAC24A	G4 AC Input 190-280 VAC, 24 VDC Logic

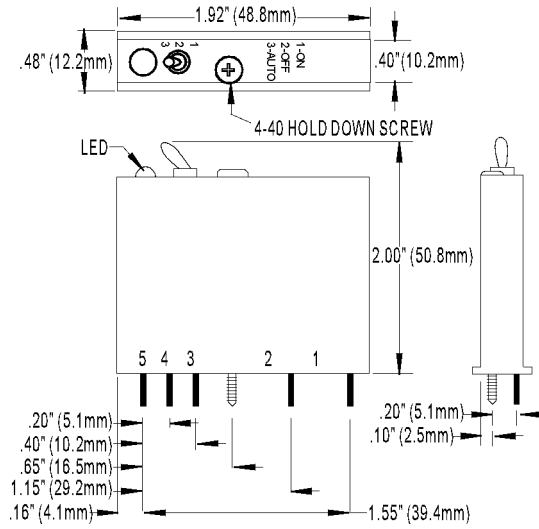
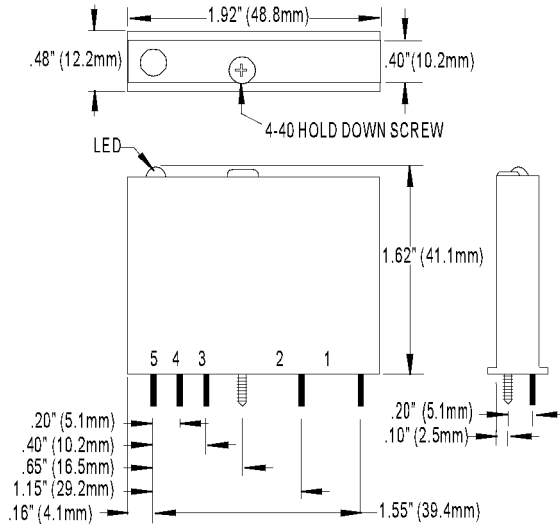
G4 Digital AC Input Modules

Specifications (continued)

	Units	G4IAC15	G4IAC15A	G4IAC24	G4IAC24A
Input voltage range	VAC or VDC	90-140	180-280	90-140	180-280
Key feature	--	--	--	--	--
Input current at maximum line	mA	5	5	5	5
Isolation, input-to-output (transient):					
1 ms	V	4000	4000	4000	4000
1 minute	V	1500	1500	1500	1500
Turn-on time	ms	20	20	20	20
Turn-off time	ms	20	20	20	20
Input allowed for off-state	mA, V	1.4, 40	0.7, 45	1.4, 40	0.7, 45
Nominal output supply voltage	VDC	15	15	24	24
Output supply voltage range	VDC	12–18	12–18	20–30	20–30
Output supply current at nominal logic voltage	mA	15	15	15	15
Input resistance (R1 in schematic)	ohms	28 K	70 K	28 K	70 K
Control resistance (Rc in schematic)	ohms	1 K	1 K	2.2 K	2.2 K
Output voltage drop	V @ 50 mA	0.4	0.4	0.4	0.4
Output current (sinking)	mA	50	50	50	50
Peak repetitive voltage	VAC	500	500	500	500
Output leakage with no input	microamps @ 30 VDC	100	100	100	100
Transistor	V breakdown	30	30	30	30
Temperature					
Operating:	°C	-30 to +70	-30 to +70	-30 to +70	-30 to +70
Storage:	°C	-30 to +85	-30 to +85	-30 to +85	-30 to +85

G4 Digital AC Input Modules

Dimensions



Schematics

